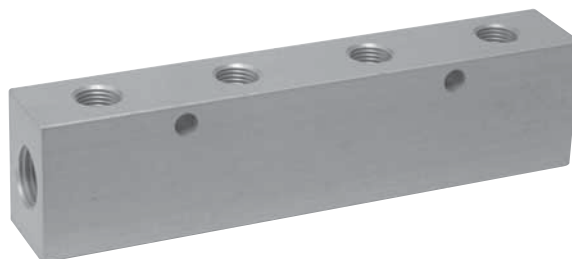


# collettori

distribution manifolds

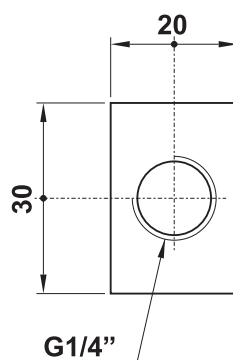
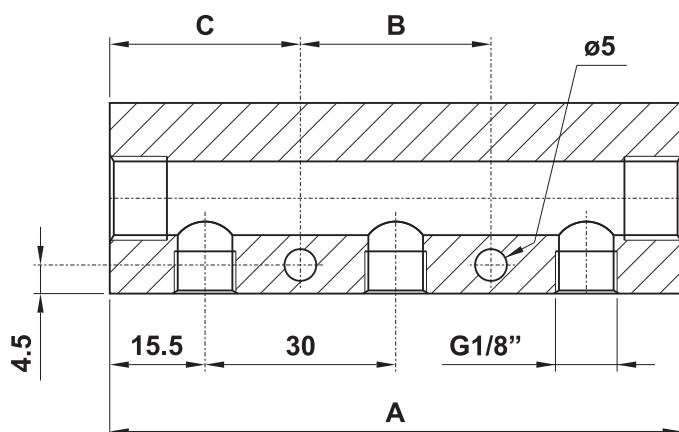


- Collettori lineari con uscite G1/8" o G1/4"  
*In-line manifolds with G1/8" or G1/4" user ports*
- Blocchetti a 4 fori  
*Four port manifolds*
- Collettori speciali a richiesta  
*Special manifolds on request*
- Materiale: alluminio anodizzato  
*Material: aluminium (anodize treatment)*



## collettori 1/8" con foro passante 1/4"

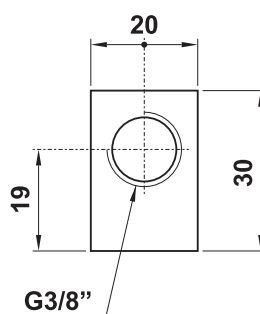
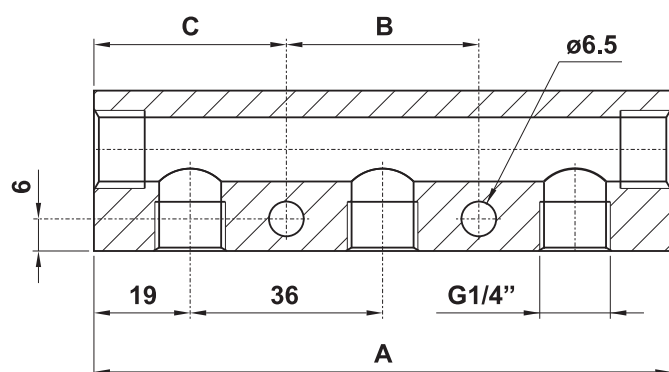
*in-line manifolds with 1/8" user ports and 1/4" feed ports*



modello model	n. fori no. ports	A	B	C
AU.002.1	2	61	50	5.5
AU.003.1	3	91	30	30.5
AU.004.1	4	121	60	30.5
AU.005.1	5	151	90	30.5
AU.006.1	6	181	120	30.5

## collettori 1/4" con foro passante 3/8"

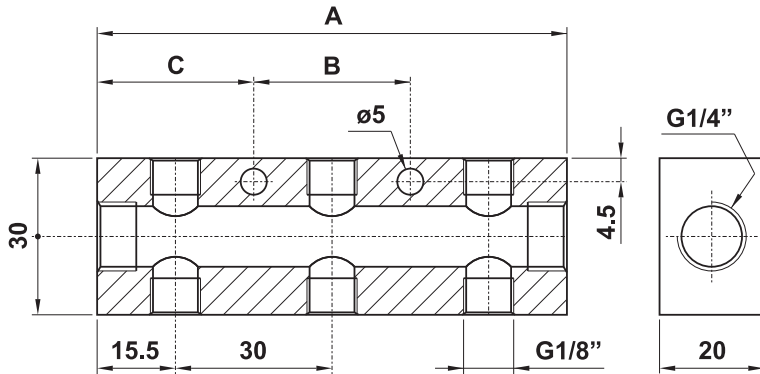
*in-line manifolds with 1/4" user ports and 3/8" feed ports*



modello model	n. fori no. ports	A	B	C
AU.011.1	2	74	61	6.5
AU.013.1	3	110	36	37
AU.014.1	4	146	72	37
AU.015.1	5	182	108	37
AU.016.1	6	218	144	37

## collettori doppi 1/8" con foro passante 1/4"

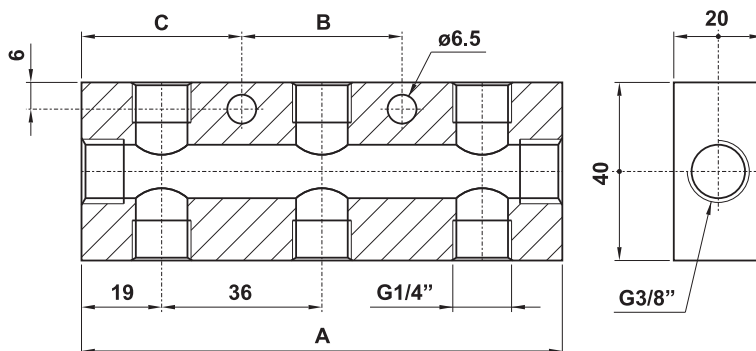
*in-line double manifolds with 1/8" user ports and 1/4" feed ports*



modello model	n. fori no. ports	A	B	C
AU.000.1	2	61	50	5.5
AU.001.1	3	91	30	30.5
AU.008.1	4	121	60	30.5
AU.009.1	5	151	90	30.5

## collettori doppi 1/4" con foro passante 3/8"

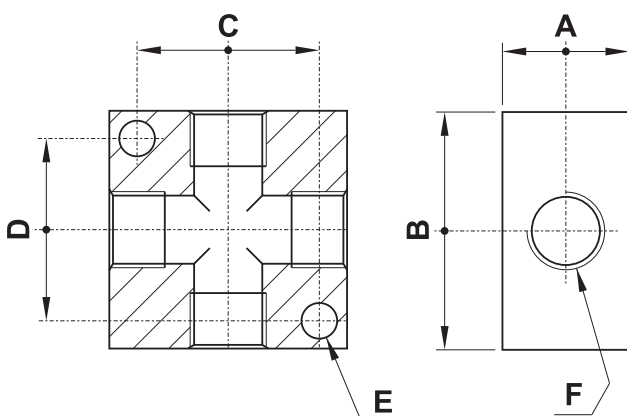
*in-line double manifolds with 1/4" user ports and 3/8" feed ports*



modello model	n. fori no. ports	A	B	C
AU.022.1	2	74	61	6.5
AU.023.1	3	110	36	37
AU.024.1	4	146	72	37
AU.025.1	5	182	108	37
AU.027.1	6	218	144	37

## blocchetti 4 fori

*four port manifolds*



modello model	A	B	C	D	E	F
AU.017.1	10	20	12	12	4.5	M5
AU.018.1	16	30	23	22	4.5	G1/8"
AU.019.1	20	40	30	27	5.5	G1/4"
AU.021.1	25	50	38	39	6.5	G3/8"
AU.020.1	25	50	38	39	6.5	G1/2"