

# regolatori di scarico

exhaust regulators



## con silenziatore with silencer



### Materiali

Ottone OT 58

Molla: acciaio zincato

Guarnizioni: NBR (max +60°C)

Silenziatore: bronzo sinterizzato

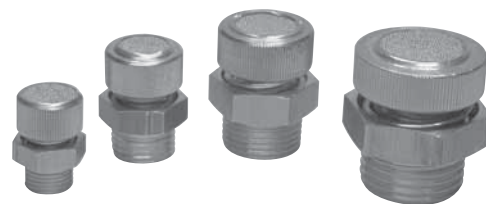
### Materials

Brass OT 58

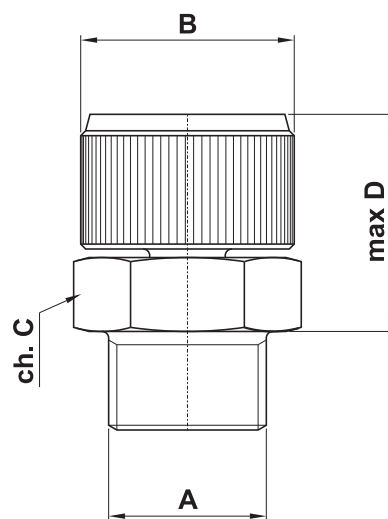
Spring: zinc-coated steel

Seals: NBR (max +60°C)

Silencer: sintered bronze



| modello<br>model | A     | B   | C  | D  |
|------------------|-------|-----|----|----|
| RSW 1/8          | G1/8" | ø13 | 12 | 22 |
| RSW 1/4          | G1/4" | ø16 | 16 | 19 |
| RSW 3/8          | G3/8" | ø20 | 20 | 20 |
| RSW 1/2          | G1/2" | ø26 | 26 | 22 |



## regolazione di precisione precision regulation



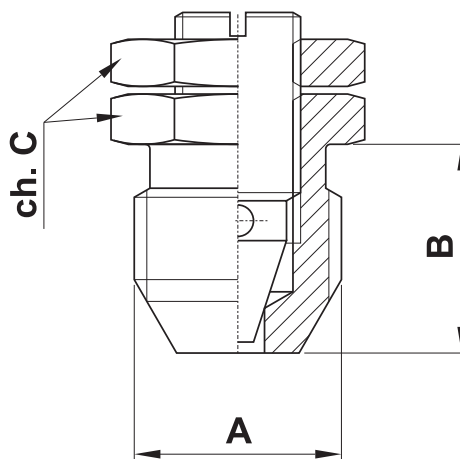
### Materiale

Ottone OT 58

### Material

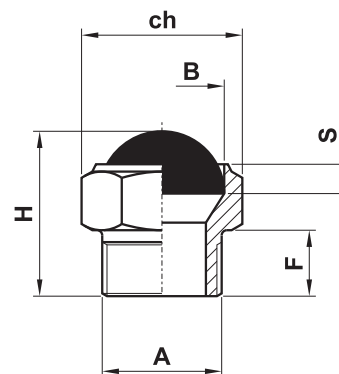
Brass OT 58

| modello<br>model | A     | B    | C  |
|------------------|-------|------|----|
| RSTC 1/8         | G1/8" | 11   | 12 |
| RSTC 1/4         | G1/4" | 13.3 | 14 |



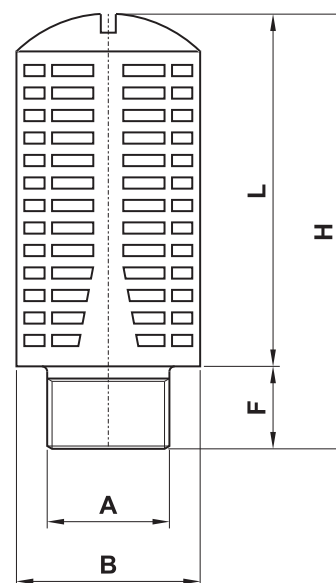
## AZ-SFE

| modello<br>model | A     | B    | ch | S | F   | H  |
|------------------|-------|------|----|---|-----|----|
| AZ-SFE1          | M5    | ø6.5 | 8  | 3 | 3.5 | 8  |
| AZ-SFE2          | G1/8" | ø11  | 13 | 4 | 6   | 16 |
| AZ-SFE3          | G1/4" | ø14  | 16 | 4 | 8   | 19 |
| AZ-SFE4          | G3/8" | ø17  | 19 | 4 | 9   | 21 |
| AZ-SFE5          | G1/2" | ø22  | 24 | 4 | 23  |    |



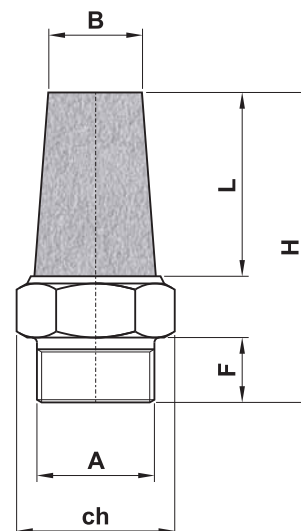
## AZ-SPL

| modello<br>model | A     | B     | F  | L    | H    |
|------------------|-------|-------|----|------|------|
| AZ-SPL2          | G1/8" | ø15   | 6  | 26.5 | 32.5 |
| AZ-SPL3          | G1/4" | ø19.5 | 8  | 35   | 43   |
| AZ-SPL4          | G3/8" | ø24.5 | 11 | 47   | 58   |
| AZ-SPL5          | G1/2" | ø24.5 | 11 | 47   | 58   |



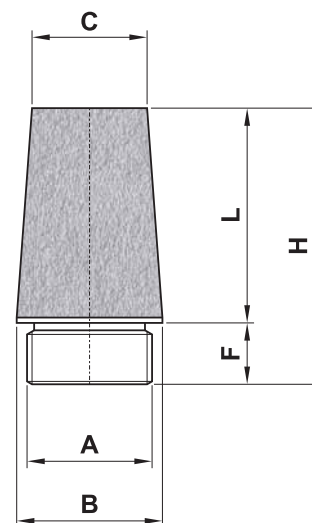
## AZ-SE

| modello<br>model | A     | B   | ch | F  | L    | H  |
|------------------|-------|-----|----|----|------|----|
| AZ-SE1           | M5    | ø5  | 8  | 4  | 14   | 22 |
| AZ-SE2           | G1/8" | ø7  | 13 | 6  | 16   | 29 |
| AZ-SE3           | G1/4" | ø9  | 16 | 8  | 16.5 | 32 |
| AZ-SE4           | G3/8" | ø13 | 19 | 9  | 25.5 | 43 |
| AZ-SE5           | G1/2" | ø16 | 24 | 11 | 33   | 53 |



## AZ-SC

| modello<br>model | A     | B   | C   | F   | L    | H    |
|------------------|-------|-----|-----|-----|------|------|
| AZ-SC1           | M5    | ø6  | ø5  | 4.5 | 8.5  | 13   |
| AZ-SC2           | G1/8" | ø12 | ø8  | 6   | 15   | 21   |
| AZ-SC3           | G1/4" | ø15 | ø11 | 6   | 19   | 25   |
| AZ-SC4           | G3/8" | ø19 | ø15 | 8   | 28   | 36   |
| AZ-SC5           | G1/2" | ø23 | ø18 | 10  | 33   | 43   |
| AZ-SC6           | G1"   | ø37 | ø31 | 11  | 49.5 | 60.5 |



## AZ-SEP

| modello<br>model | A     | B    | ch | F   | S | H  |
|------------------|-------|------|----|-----|---|----|
| AZ-SEP1          | M5    | ø6.5 | 8  | 3.5 | 3 | 8  |
| AZ-SEP2          | G1/8" | ø11  | 13 | 6   | 4 | 13 |
| AZ-SEP3          | G1/4" | ø14  | 16 | 8   | 4 | 16 |
| AZ-SEP4          | G3/8" | ø17  | 19 | 9   | 4 | 18 |
| AZ-SEP5          | G1/2" | ø22  | 24 | 11  | 4 | 20 |
| AZ-SEP6          | G1"   | ø34  | 36 | 11  | 4 | 20 |

